

FRF-179-506 DATA SHEET

Description:

The FIRST RF Corporation FRF-179-506 is a 2-port antenna covering L/S/C Bands (Port 1) and Ku-Band (Port 2). Designed for Rotary Wing aircraft, ground mobile or maritime use.



FRF-179-506

RF Performance Overview:

Frequency:

1.6 – 6 GHz (Port 1)
 14.3 – 15.35 GHz (Port 2)

Polarization:

Vertical/Linear (Port 1)
 Right Hand Circular (Port 2)

Gain:

Port 1 +2 dBiL Typical
 Port 2 +4 dBiC Typical

VSWR:

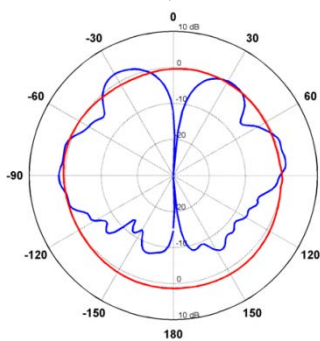
< 2.5:1 typical
 < 2.5:1 typical

Radiation Pattern:

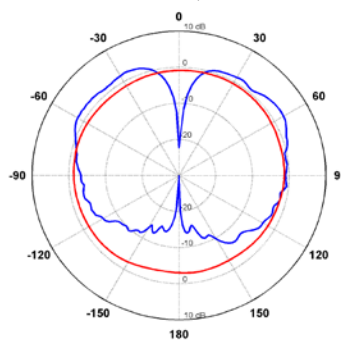
Omni-directional
 Omni-directional

Antenna Pattern

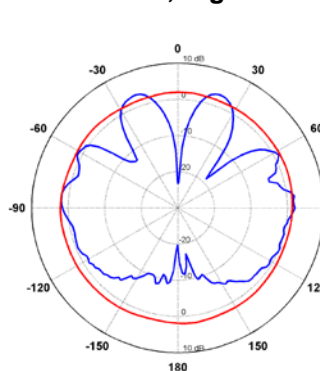
Port 1, Low



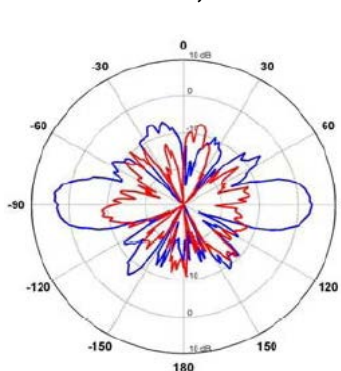
Port 1, Mid



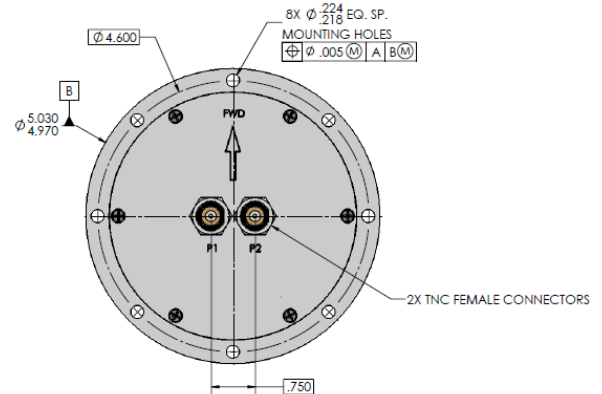
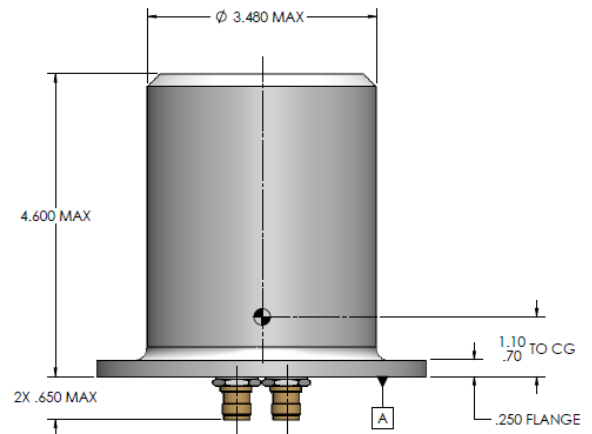
Port 1, High



Port 2, Mid



Mechanical Overview:



Physical Dimensions:

4.6" height, 3.5" diameter
 5" Diameter base, 8 mounting holes on 4.6" diameter
 TNC Female Connectors

Environmental:

Sealed from rain, sand, dust, salt fog in accordance with MIL-STD-810.
 Vibe tested to Rotary Wing requirements I.A.W. MILSTD-810